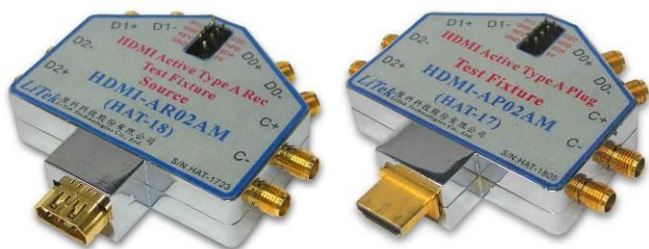


# HDMI Active Cable Probe Datasheet (HDMI-AP02AM & HDMI-AR02AM)

Version 1.1

## Introduction:



For long or thin HDMI cable application, most of people will design an active solution inside the cable. In general, most assembly will test their passive HDMI cable by using the Signal generator and TDR as scope to check the Eye diagram result. But this solution can be used only for passive cable. Now, LiTek announced a solution for HDMI active cable eye diagram testing by using the same instruments. LiTek's HDMI-AR02AM HDMI Active REC Test fixture set can be used to test HDMI active plug cable. LiTek's HDMI-AP02AM HDMI Active Plug Test Fixture set can be used to test HDMI active receptacle cable.



Fig2: HDMI-AR02AM, HDMI Active REC Test Fixture



Fig3: HDMI-AP02AM, HDMI Active Plug Test Fixture

## Application:

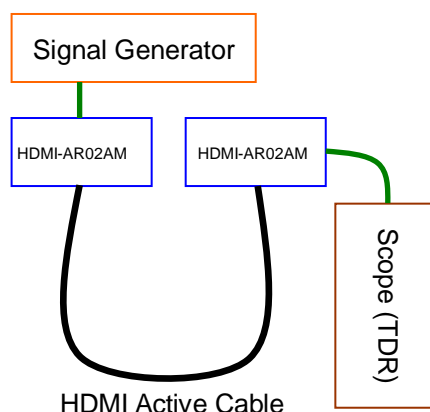


Fig1: HDMI Active cable test scheme



Fig4: HDMI Active Cable plugged into HDMI-AR02AM

## Contact LiTek:

Taiwan: 4F-3, No. 18, Huannan Rd., Pingzhen City, Taoyuan County 32448, Taiwan Tel: +886-3-4951851 Fax: +886-3-4951841

李文福 經理 Leo Lee [leo@litek.tw](mailto:leo@litek.tw) Cell Phone: +886-922330325

China: 901R Shencai Building Fuyong Boulevard Fuyong Town Baoan District Shenzhen Guangdong

洪瑋駿 經理 Thomas Hung [thomas@litek.tw](mailto:thomas@litek.tw) Cell Phone: +86-13823201991