

Introduction:

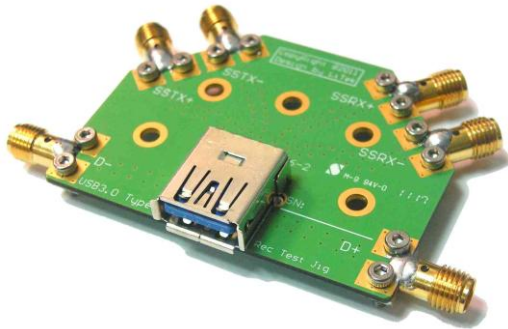


Fig1: USB3.0 CTS Type A receptacle Test Fixture(USB3-AR03AR)

LiTek's USB3.0 CTS Type A receptacle Test fixture (USB3-AR03AR) can be used to measure the Host Device with USB3.0 Protocol Signal Generator or Real-Time Scope after connect USB3.0 Type A to Type A cable assembly. It can also be used to measure USB3.0 Type A plug connectors with suitable test settings

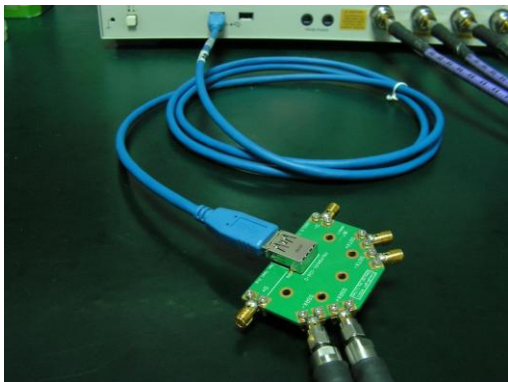


Fig2: USB3-AR03AR plugged into Host Device after Type A to Type A cable assembly

For Host Device testing, we can use a determined USB3.0 cable assembly, then connecting to USB3-AR03AR.

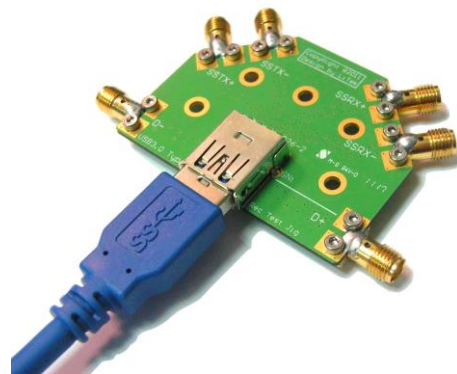


Fig3: USB3-AR03AR plugged with Type A Plug DUT.

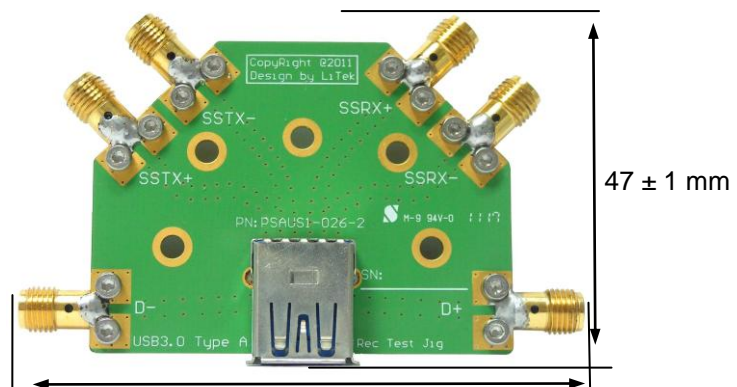
For USB3.0 CTS Type A plug connector testing. We can soldered DUT on the reference board or terminated in the far end and connected with USB3-AR03AR for Impedance and NEXT testing. LiTek Also apply the reference board for standard Type A Plug in option.

In some case, we may change the Type A Receptacle for user purpose. Customers can apply their considered type A receptacle to do the USB3-ARXXX as the other test fixtures.

Features:

1. Good Impedance match: $100\Omega \pm 5\Omega$.
2. Short Trace Length: meet USB3.0 spec.
3. Fast Rise Time: Less than 50 ps.
4. Low Intra pair skew: ± 2 ps.
5. Low Loss design: Less than 3 dB @5GHz.
6. Signal Pairs: SSRX/ SSTX and USB D+/D-.
7. 6 SMA connectors and Type A receptacle.

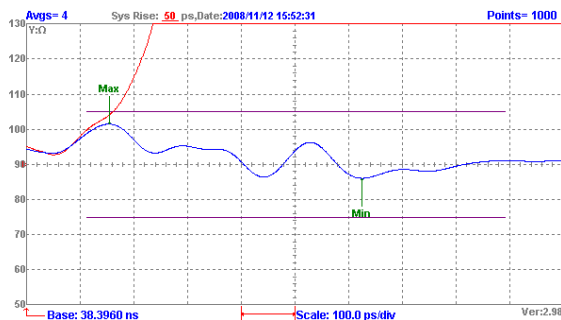
Fig4: USB3-AR03AR dimensions



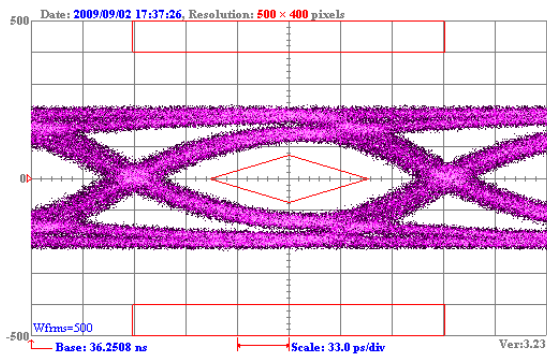
76 ± 1 mm

47 ± 1 mm

USB3.0 Mated impedance



USB3.0 Eye diagram with 2M Cable



Related LiTek Products:

Customer own USB3-AR03AR may also buy:

- USB3-AP01A: USB3.0 Type A plug test fixture.
- USB3-BP01A: USB3.0 Type B Plug test fixture.
- USB3-BR03AR: USB3.0 Type B receptacle test fixture.
- USB3-MP01A: USB3.0 Type Micro A/B plug test fixture.
- USB3-MR03AR: USB3.0 Type Micro A/B receptacle test fixture.
- USB3-CK03AR: USB3.0 2X trace TRL Calibration Kit.
- TpNA for USB3.0 Software.

Application and Reference:

USB3-AR03AR can be used to these listed as below:

- USB3.0 Host Devices.
- USB3.0 HUB with Type A receptacle connectors.
- Others with Type A plug connectors.
- Measurements for USB3.0 Type A plugs.
- Measurements for USB3.0 Cable with Type A plug side connector.

USB3.0 Measurement Related websites:

- USB Org: <http://www.usb.org>
- Agilent: <http://www.agilent.com>
- Tektronix: <http://www.tektronix.com>
- LiTeK: <http://www.litek.tw>

Contact LiTek:

Taiwan: 4F-3, No. 18, Huannan Rd., Pingzhen City, Taoyuan County 32448, Taiwan Tel: +886-3-4951851 Fax: +886-3-4951841

李文福 經理 Leo Lee leo@litek.tw Cell Phone: +886-922330325

China: 901R Shencai Building Fuyong Boulevard Fuyong Town Baoan District Shenzhen Guangdong

洪瑋駿 經理 Thomas Hung thomas@litek.tw Cell Phone: +86-13823201991