

Introduction:



For long or thin HDMI cable application, most of people will design an active solution inside the cable. In general, most assembly will test their passive HDMI cable by using the Signal generator and TDR as scope to check the Eye diagram result. But this solution can be used only for passive cable. Now, LiTek announced a solution for HDMI active cable eye diagram testing by using the same instruments. LiTek's HDMI-CR02AM HDMI Active Rec Test fixture set can be used to test HDMI active plug cable. LiTek's HDMI-CP01A HDMI Active Plug Test Fixture set can be used to test HDMI active receptacle cable.



Fig1: HDMI-CR02AM, HDMI Active Rec Test Fixture

Application:

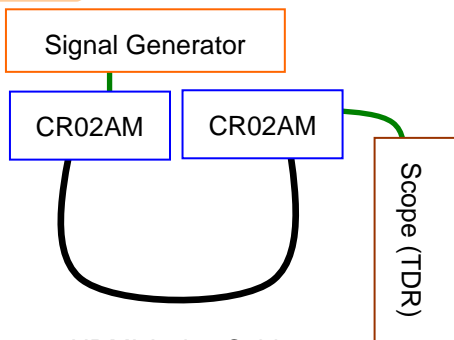


Fig2: HDMI Active cable test scheme



Fig3: HDMI-CP01A, HDMI Active Plug Test Fixture

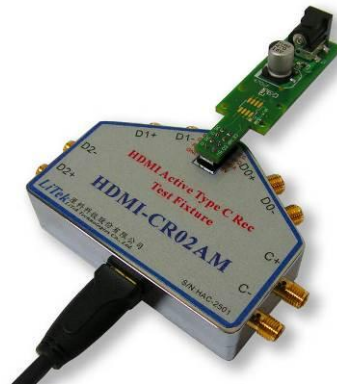


Fig4: HDMI Active Cable plugged into HDMI-CR02AM

Table1: Type C Pin Assignments

P01	D2 GND	P02	D2+
P03	D2-	P04	D1 GND
P05	D1+	P06	D1-
P07	D0 GND	P08	D0+
P09	D0-	P10	CLK GND
P11	CLK+	P12	CLK-
P13	GND	P14	CEC
P15	SCL	P16	SDA
P17	Utility	P18	+5V
P19	HPD		

Contact LiTek:

Taiwan: 4F-3, No. 18, Huannan Rd., Pingzhen City, Taoyuan County 32448, Taiwan Tel: +886-3-4951851 Fax: +886-3-4951841

李文福 經理 Leo Lee leo@litek.com Cell Phone: +886-922330325

China: 901R Shencai Building Fuyong Boulevard Fuyong Town Baoan District Shenzhen Guangdong

洪瑋駿 經理 Thomas Hung thomas@litek.com Cell Phone: +86-13823201991